

TECHNICAL INFORMATION



CERTIFICATIONS



STACKING

Freight costs are heavily reduced due to our unique staking method, which allows for more pieces to fit into a shipping container. For the available models, please check with our office.



Acrylic bathtubs



ECO-F

ECO-F 17075S in picture

1400x700x570

1500x730x570

1700x750x580

1800x800x580



VISION

VIS 17073S in picture

1500x730x630

1700x730x630





LINEAR

LIN 17080RH in picture

1500x750x585

1700x800x585



LIN 17080S in picture

1500x750x585

1700x800x585





STUDIO

STU 17075S in picture
 1400x700x585
 1500x750x585
 1700x750x585



STU 17080BTW in picture
 1500x750x585
 1700x800x585





SCOOP

SCO 18080BTW in picture

1400x700x585

1500x750x585

1700x800x585

1800x800x585





SCOOP

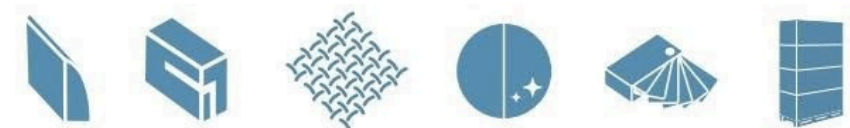
SCO 18080LH in picture

1400x700x585

1500x750x585

1700x800x585

1800x800x585



SCO 15075RH in picture

1400x700x585

1500x750x585

1700x800x585

1800x800x585





NEWLINE

NEW 17080BTW in picture

1500x750x585

1700x800x585

1800x800x585





ECO-F

ECO-F 17075RH in picture

1400x700x570

1500x730x570

1700x750x580

1800x800x580

ECO-F 17075BTW in picture

1400x700x570

1500x730x570

1700x750x580

1800x800x580



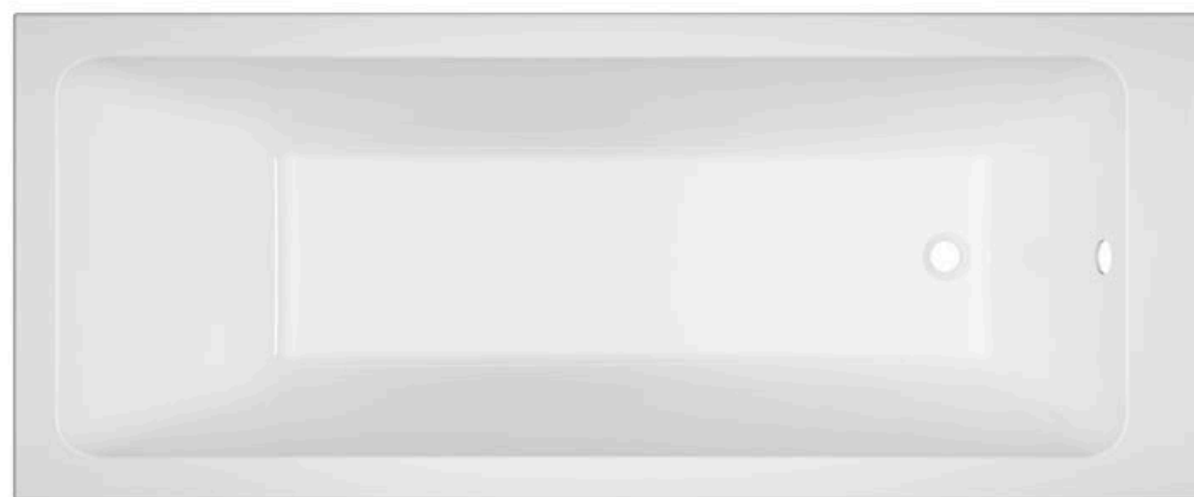
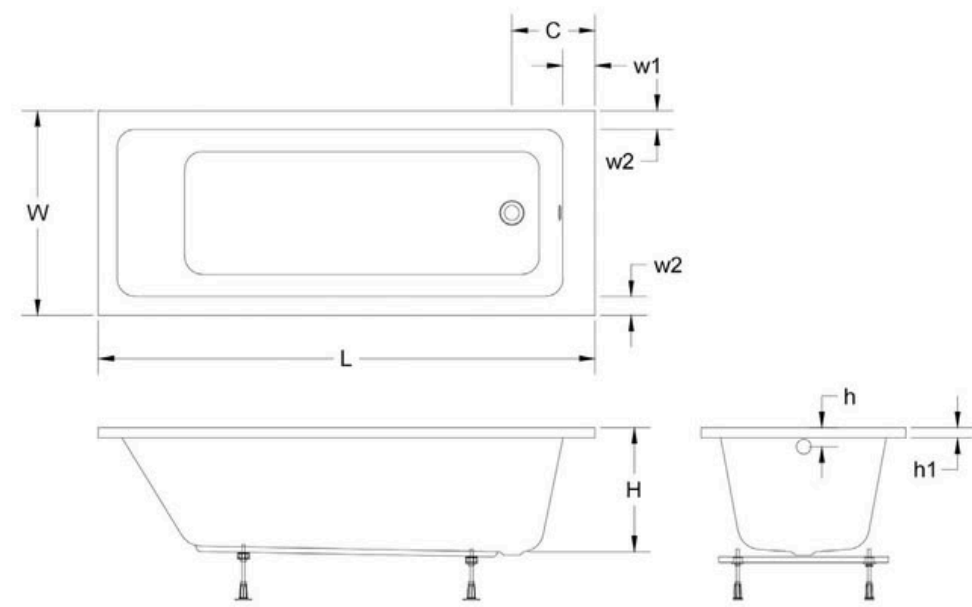
Acrylic built-in

BL01 Series



- 3.2 mm sanitaryware-grade acrylic sheet
- 18 mm baseboard encapsulated with reinforcement
- Adjustable sets
- Heavy-duty galvanized steel frame
- EN14516 and CE approval
- 5-year warranty
- Overflow and drain available
- Products made with green energy

MFG code	Dimension (mm)	L	W	H	C	h	h1	w1	w2	w3	w4	Water Volume (L)	NW (Kg)	GW (Kg)
DCODE14070E	1400*700	1400	700	420	285	65	35	110	65	65	65	153	15.3	15.8
DCODE15070E	1500*700	1500	700	420	285	65	35	110	65	65	65	168	17.4	17.9
DCODE16070E	1600*700	1600	700	420	285	65	35	110	65	65	65	182	18.8	19.4
DCODE17070E	1700*700	1700	700	420	285	65	35	110	65	65	65	196	20.7	21.4
DCODE18080E	1800*800	1800	800	420	285	65	35	110	65	65	65	256	23.4	24.2

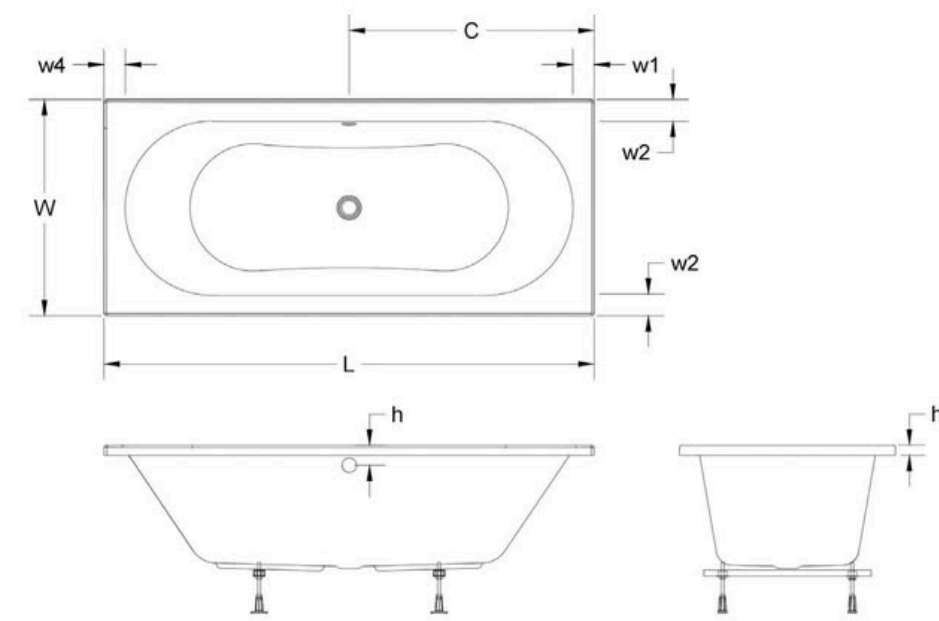


BL04 Series



- 3.2 mm sanitaryware-grade acrylic sheet
- 18 mm baseboard encapsulated with reinforcement
- Adjustable leg-sets
- Heavy-duty galvanized steel frame
- EN14516 and CE approval
- 5-year warranty
- Overflow and drain available
- Products made with green energy

MFG code	Dimension (mm)	L	W	H	C	h	h1	w1	w2	w3	w4	Water Volume (L)	NW (Kg)	GW (Kg)
VER 16075	1600*750	1600	750	400	800	70	35	90	80	80	70	137	20	20.6
VER 17070	1700*700	1700	700	400	850	70	35	90	80	80	70	148	19.8	20.4
VER 17075	1700*750	1700	750	400	850	70	35	90	80	80	70	164	20.8	21.4
VER 17080	1700*800	1700	800	400	850	70	35	90	80	80	70	179	23.5	24.3
VER 18075	1800*750	1800	750	400	900	70	35	90	80	80	70	185	21	21.8
VER 18080	1800*800	1800	800	400	900	70	35	90	80	80	70	195	22.8	23.6

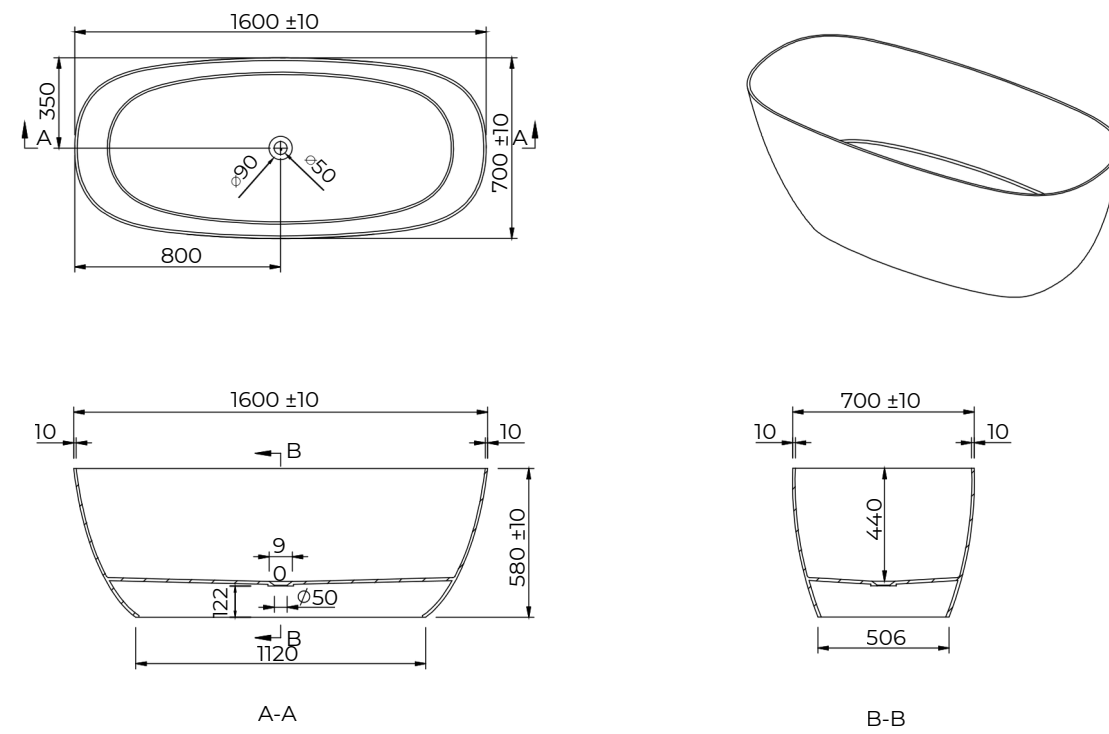


MINERAL MARBLE

ASS06

ASS06 16070S in picture

1600x700x580



Lightweight &
stackable at 70 kg





ASS04

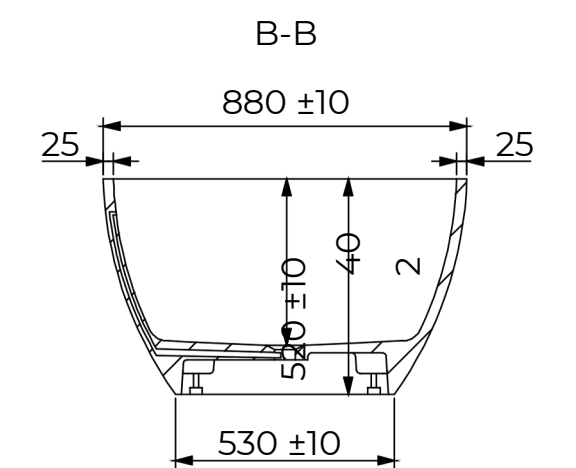
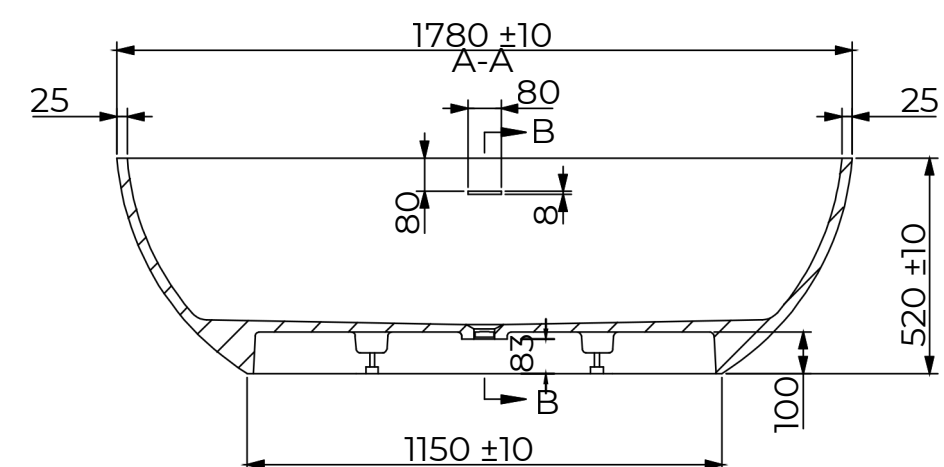
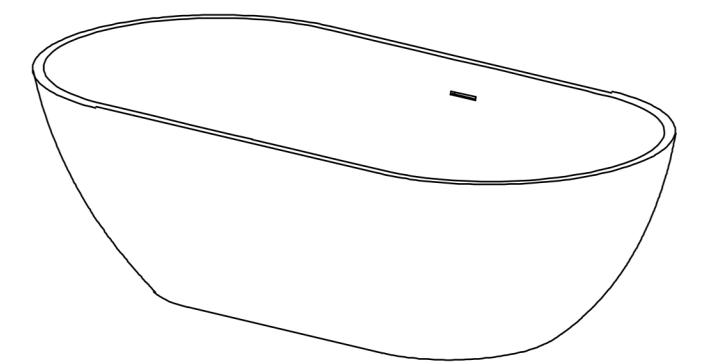
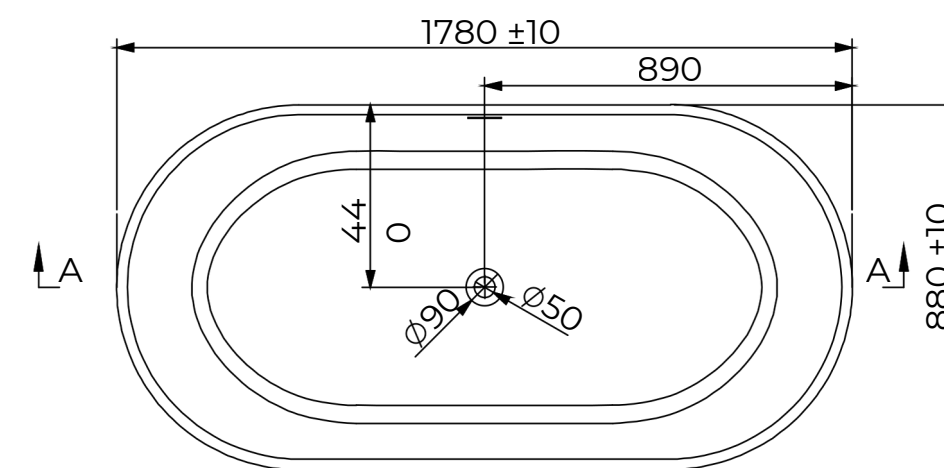
ASS04 17888S in picture
1780x880x520



ASS04
15073S
1500x730x520

ASS04
16078S
1600x780x520

ASS04
17083S
1700x830x520





ASS08

ASS08 17075S in picture
1700x750x580

